

# SUITCASE® Singlefold AS Ramp

Optional Top Lip Extension is available. Contact your local EZ-ACCESS retailer for details.

## RATED LOAD

- ▲ Maximum weight limit is **800 pounds**.

## INSTALLATION

1. Read and follow all instructions before use.
2. Do not use if ramp is damaged or unstable.
3. For wheelchairs and scooters only (not intended for commercial use).
4. Ramp is shipped fully assembled. To separate ramp into two halves for easy stowage and transportation, remove bolts and install hinge pins as follows:
  - a. Position as shown in (FIGURE 1). Align hinges, then insert hinge pin into each hinge assembly and connect ramp sections together before use. Spring section of pin should be on the underside (non-treaded side) of ramp.
    - ▲ Ramp may be separated for use when loading or unloading unoccupied mobility equipment only.
    - ▲ When used with occupied mobility equipment, use ramp as one unit (ensure both halves are joined with hinge pins or bolts firmly installed before use).
5. Place ramp on landing in the folded position, making sure that the top lip transition plate (labeled TOP) is resting securely on the landing, see FIGURE 2.
6. Unfold ramp and center on landing.
7. For ease in carrying and stowage, ramp can be disconnected and carried in two sections. (When hinge pins are not in use, store in one side of hinge or on the underside of ramp by inserting into the gap behind the top I-beam.).

## SAFETY & MAINTENANCE

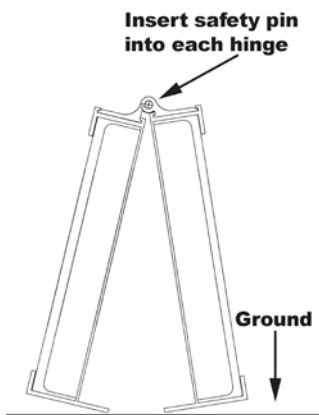
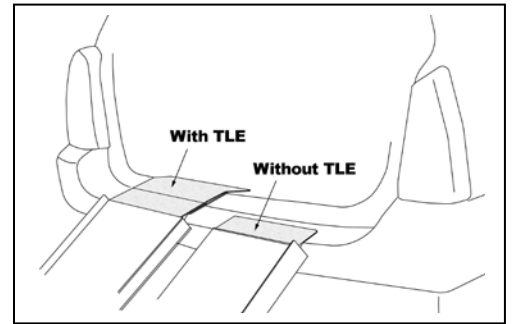
Regularly check ramp for damage, and check and tighten any loose fasteners. Keep ramp surface clear of ice, snow, dirt, leaves, and other debris. For snow/ice, remove accumulation and sweep the surface clean. To remove dirt, leaves, and other debris, sweeping the surface or using a garden hose will usually suffice, but, if needed, use a damp cloth or soft brush with non-alkaloid detergent and water. Rinse well and use extra caution if ramp surface is wet.

## WARNING!

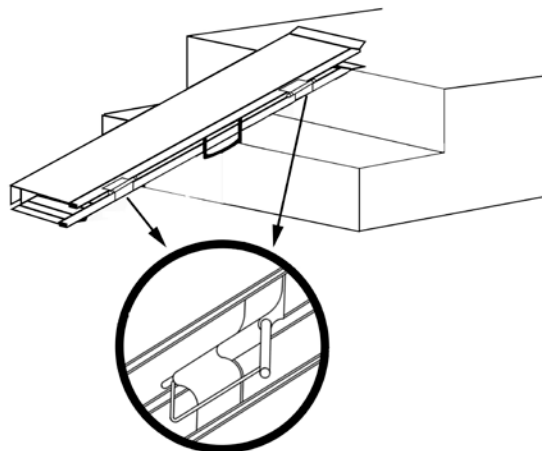
- ▲ Ensure top lip transition plate is secure before using ramp. We recommend attaching ramp temporarily to the landing using provided clevis pins (drill ¼" hole in landing) or semi-permanently using screws through pre-drilled holes at the top of each section. To prevent ramp from becoming dislodged during use, make sure that the top lip transition plate overlaps the resting surface as far as possible.
- ▲ The surface holding the top lip transition plate needs to be substantial and of sound construction.
- ▲ Ramp may be slippery when wet or icy.
- ▲ Use ramp only with a qualified helper and always use lap belt.
- ▲ The ramp shown in the figures below is the 5-ft length. To select the ramp length, an incline chart is provided on the reverse side of this document. However, it is intended only as a guideline. Refer to your equipment's (wheelchair or scooter) Owner Guide for the proper degree of incline/decline and chair direction before attempting ramp use. Never exceed its recommendations.

## OPTIONAL ACCESSORY

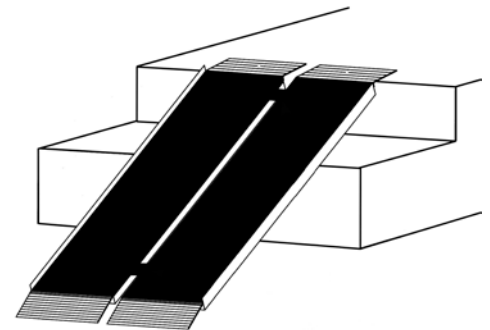
Increase the usefulness of the SUITCASE® Singlefold AS ramp with the Top Lip Extension (TLE). This optional extension increases the standard 3" top lip transition plate to become 9", allowing the ramp to clear the rear bumper of SUVs and vans by simply attaching to the top lip of the ramp. TLE is for use with unoccupied mobility equipment only and, when used, reduces the overall ramp weight capacity to 500 pounds. Contact your local retailer or visit [www.ezaccess.com](http://www.ezaccess.com).



**FIGURE 1**



**FIGURE 2**



**FIGURE 3**

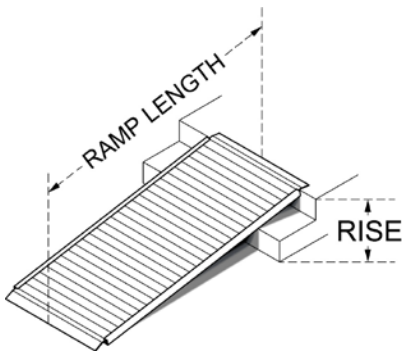


# INCLINE CHART



RISE	RAMP LENGTH									
	2'	3'	4'	5'	6'	7'	8'	9'	10'	
3"	7.2°	4.8°	3.6°	2.9°	2.4°	2.0°	1.8°	1.6°	1.4°	
4"	9.6°	6.4°	4.8°	3.8°	3.2°	2.7°	2.4°	2.1°	1.9°	
5"	12°	8.0°	6.0°	4.8°	4.0°	3.7°	3.0°	2.7°	2.4°	
6"	14.5°	9.6°	7.2°	5.7°	4.8°	4.1°	3.6°	3.2°	2.9°	
7"		11.2°	8.4°	6.7°	5.6°	4.8°	4.2°	3.7°	3.3°	
8"		12.8°	9.6°	7.7°	6.4°	5.5°	4.8°	4.2°	3.8°	
9"		14.5°	10.8°	8.6°	7.2°	6.2°	5.4°	4.8°	4.3°	
10"			12.0°	9.6°	8.0°	6.8°	6.0°	5.3°	4.8°	
12"			14.5°	11.5°	9.6°	8.2°	7.2°	6.4°	5.7°	
14"				13.5°	11.2°	9.6°	8.4°	7.4°	6.7°	
16"					12.8°	11.0°	9.6°	8.5°	7.7°	
18"					14.5°	12.4°	10.8°	9.6°	8.6°	
20"						13.8°	12.0°	10.7°	9.6°	
22"							13.2°	11.8°	10.6°	
24"							14.5°	12.8°	11.5°	
26"								13.9°	12.5°	
28"								15.0°	13.5°	
30"									14.5°	

**IMPORTANT:** Refer to your equipment's (wheelchair or scooter) Owner Guide for the proper degree of incline/decline and chair direction before attempting ramp use. Never exceed its recommendations.



## TO ESTABLISH THE PROPER RAMP LENGTH:

- Determine the incline that your chair is designed to climb.
- Measure the rise (distance from the top step, porch, van, etc. to the ground).
- Refer to Incline Chart to find proper ramp length.
- At any incline, use ramp only with a qualified helper.

Patent No. 8,191,193  
 LIFETIME WARRANTY. Please register at [www.ezaccess.com/warranty-satisfaction](http://www.ezaccess.com/warranty-satisfaction).  
 CE Technical Files kept at: Enable Access, Marshmoor Works Great North Road, North Horth Mymms Hatfield, AL9 5SD, UK  
 © EZ-ACCESS®, a division of Homecare Products, Inc. All rights reserved.

All text and images contained in this document are proprietary and may not be shared, modified, distributed, reproduced, or reused without the express written permission of EZ-ACCESS.

