


SLEEP SAFE

HOME BED RAIL

A man with grey hair, wearing a grey polo shirt and light-colored trousers, is sitting on a bed. He is holding onto a dark metal bed rail that has a brown fabric bag attached to it. The bed has white bedding and a dark wooden headboard. In the background, there is a lamp on a nightstand and white curtains.

Its fun to look back with tender appreciation for the simple joys of life. A sweet grandchild, the satisfaction of a garden, the excitement of open calendars and tropical cruises-these are some of the benefits that come with retirement. You want to stay recharged for these adventures, and safe! So we've designed the Sleep Safe Bed Rail to give you the support you need when you need it. This adjustable bed rail slips under your mattress to ensure you have a safe landing after a long day in the garden.

PRODUCT #7600

FEATURES

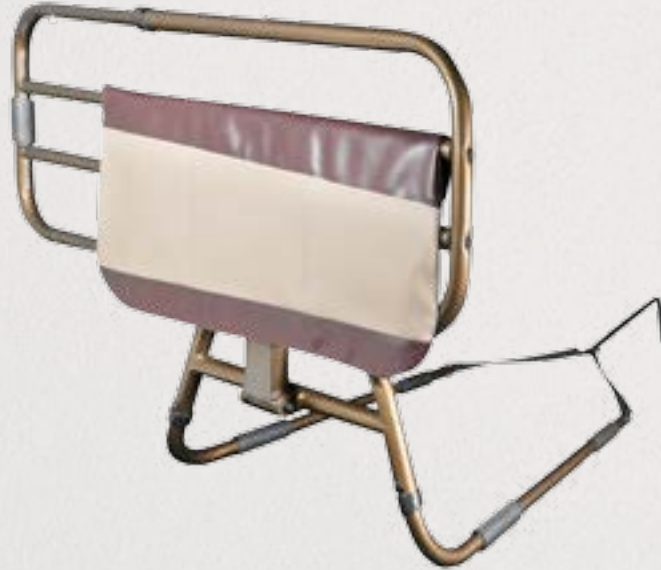
WHAT CUSTOMERS ARE SAYING

SANDY

"Love it! My husband has a sleep disorder and it gives us peace of mind that he will not fall off the bed. It is very well made, easy to put together. I love the adjustable length also."

VIRGINIA

"I got this for my father when he fell out of bed one night. He LOVES it! What a life saver. Now it helps him all the time get out of bed safely, in addition to keeping him in the bed at night!"



With the Sleep Safe Bed Rail you can sleep easy knowing you have the support you need. It offers stability while standing, and can be extended to prevent night time falls. It also pivots down and out of the way when not in use to maintain the comforting feeling of your bedroom.



HELPFUL TIP: Did you know that the second most common place for falls is in the bedroom, and most of those falls occur while you are sleeping? The extending feature of the Sleep Safe Home Bed Rail can help prevent those falls.

FEATURES



TWO PRODUCTS IN ONE

Half size bed rail extends in length for fall protection at night



RAIL PIVOTS

The rail pivots 180° down and out of the way when not in use



DESIGNER ORGANIZER POUCH

Leather-like organizer pouch keeps handy items close by & doesn't spill when rail pivots down









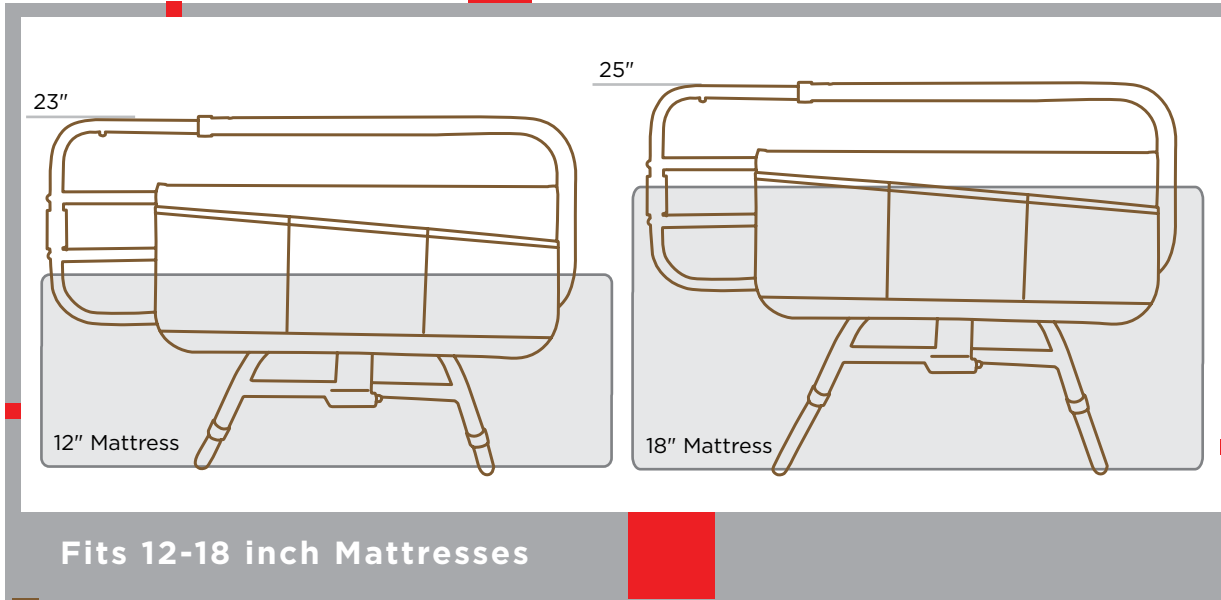
SAFETY STRAP

Secures to the bed frame with included safety strap

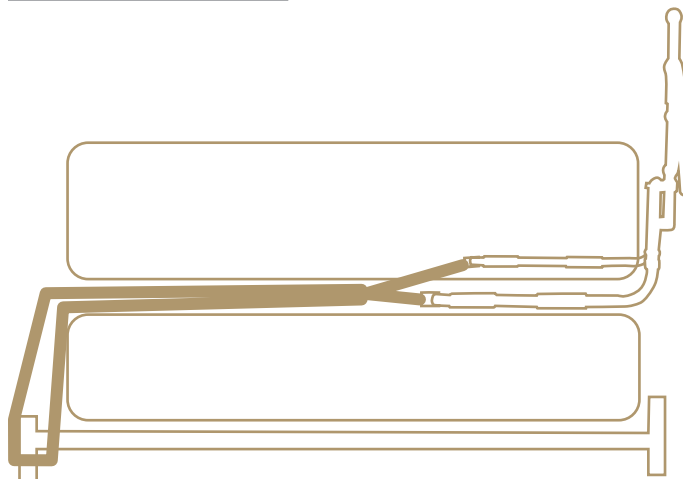
SPECIFICATIONS

THE DETAILS

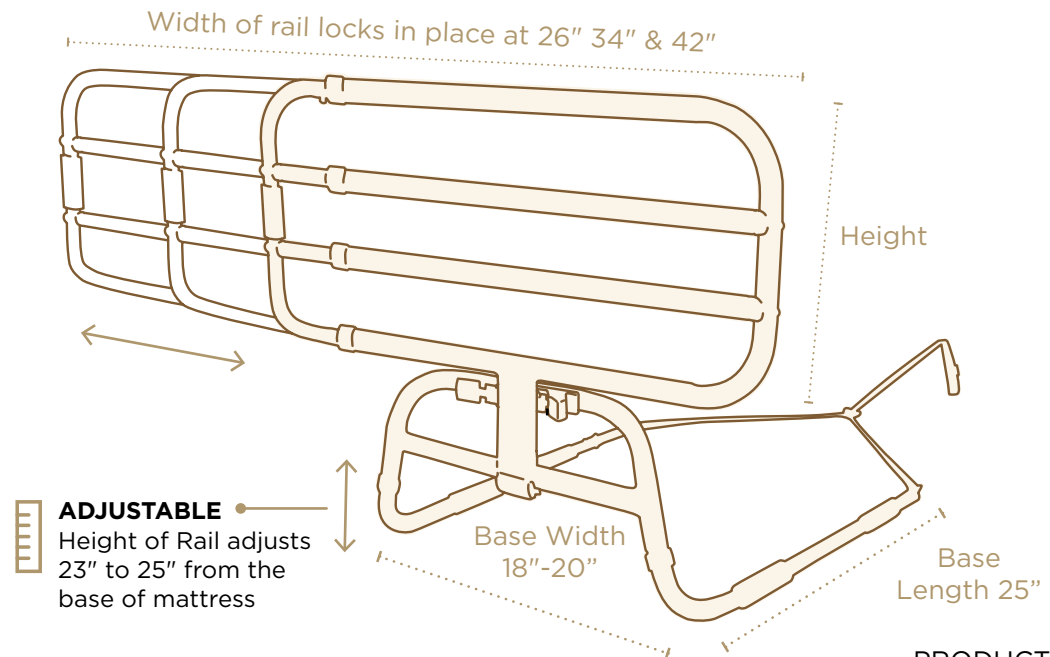
-  **LIGHT WEIGHT**
Weights only 12 lbs
-  **BED TYPES**
Attaches to most any home or common adjustable bed with included safety strap. Fits mattress height of 12" - 18"
-  **STRONG**
Weight capacity 300 lbs
-  **EASY ASSEMBLY**
Installs in minutes with 5 bolts & included tool
-  **PACKAGE DIMENSIONS**
27" H x 18" L x 3.5" W
-  **CASE DIMENSIONS**
4/case, 27" H x 18" L x 14" W



HEIGHT ADJUSTMENT



SECURES TO BED FRAME



PRODUCT #7600

FALL RISK

- 6 out of every 10 falls happen at home, where we spend much of our time and tend to move around without thinking about our safety.
- Every 11 seconds, an older adult is treated in the emergency room for a fall.
- Falls are the most common cause of trauma-related hospital admissions for older adults.
- Falls result in more than 2.8 million injuries treated in emergency departments annually, including over 800,000 hospitalizations.

According to "Fall Prevention Facts" from www.ncoa.org

"Home is a place you grow up wanting to leave, & grow old wanting to get back to"

-John Ed Pearce

